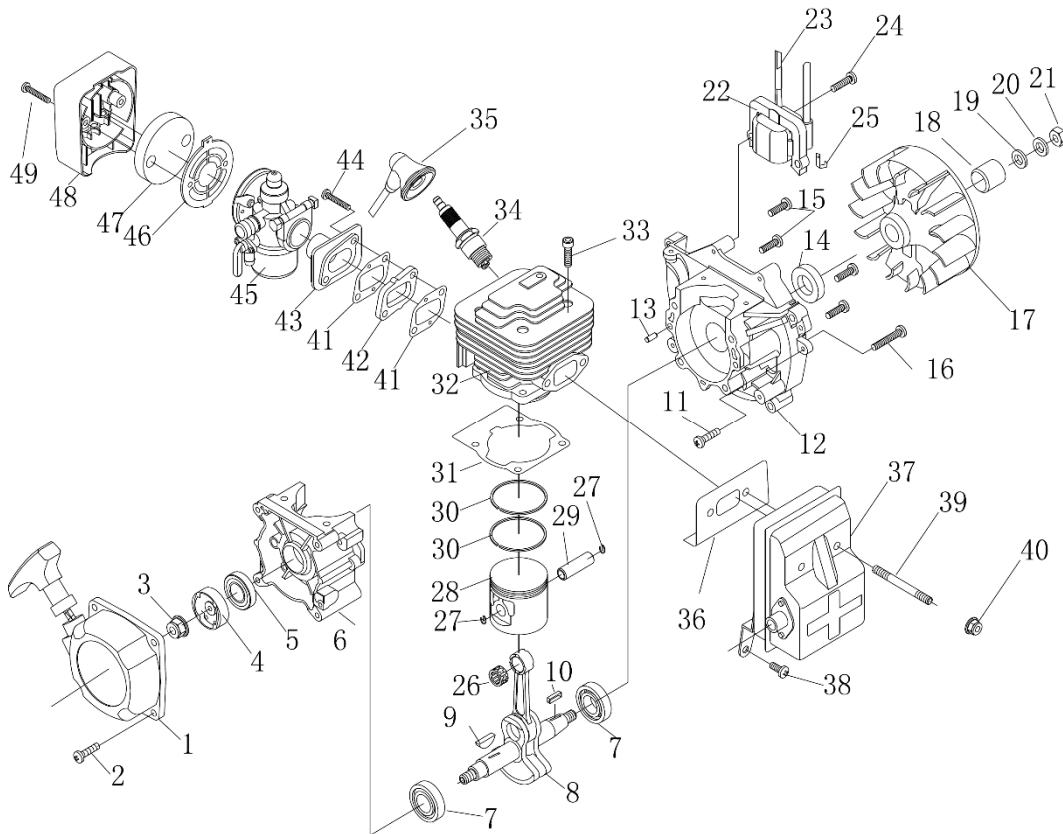
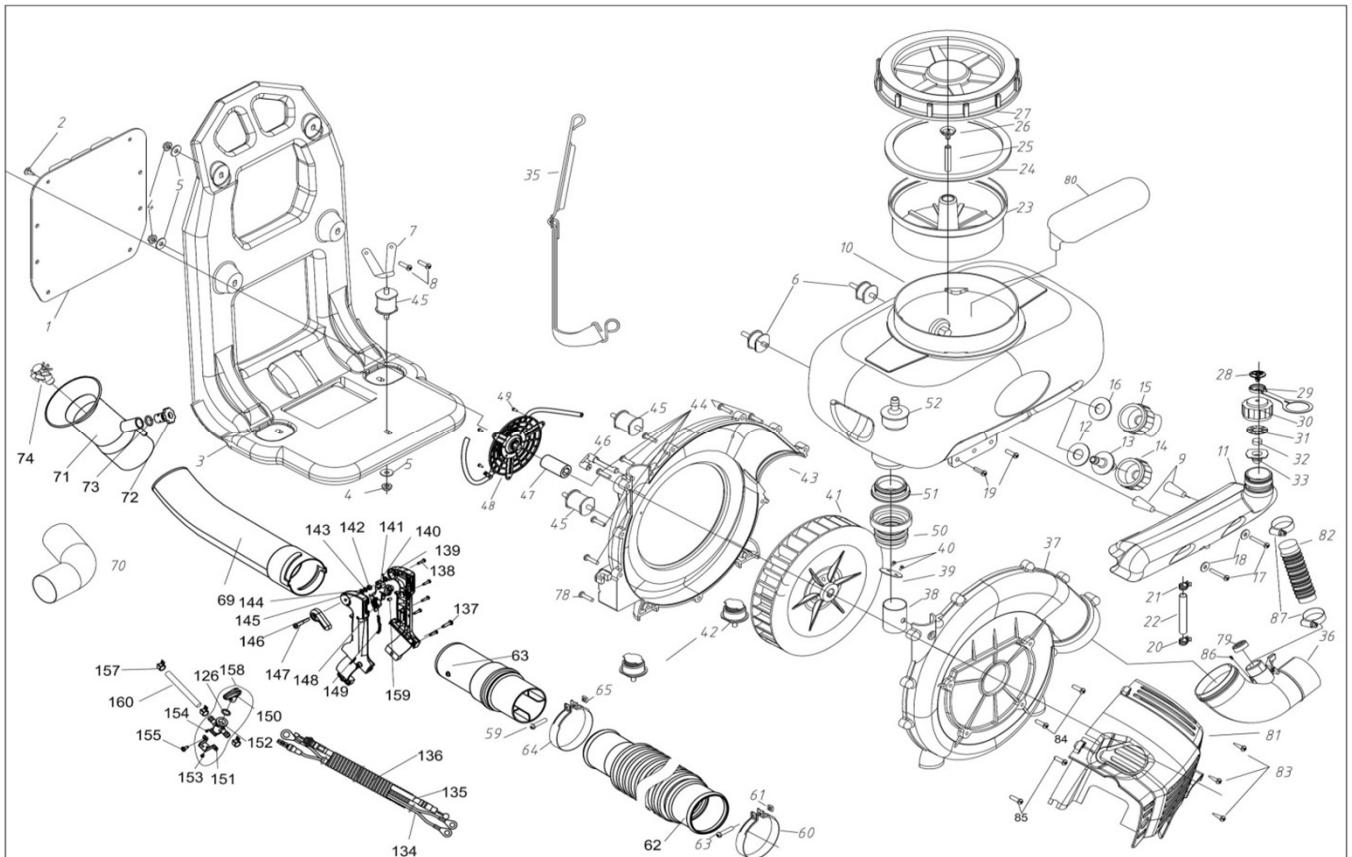


DM 14 P - Engine



| No | Code   | Name            | Qty | No | Code   | Name                | Qty |
|----|--------|-----------------|-----|----|--------|---------------------|-----|
| 1  | 010811 | Starter         | 1   | 26 | 013490 | Bearing             | 1   |
| 2  |        | Screw M5x16     | 4   | 27 | 013494 | Ring                | 2   |
| 3  |        | Nut M8          | 1   | 28 | 013491 | Piston              | 1   |
| 4  | 032513 |                 | 1   | 29 | 013493 | Piston pin          | 1   |
| 5  | 10860  | Seal 12x22x7    | 1   | 30 | 13492  | Piston ring         | 2   |
| 6  | 017556 | Crank cass      | 1   | 31 | 013495 | Washer              | 1   |
| 7  | 10771  | Bearing 6202/P6 | 2   | 32 | 032517 | Cylinder            | 1   |
| 8  | 032514 | Crank shaft     | 1   | 33 |        | Screw M5x20         | 4   |
| 9  | 32478  | 3x5x13          | 1   | 34 | 10866  | Spark plug          | 1   |
| 10 |        | 4x18            | 1   | 35 |        | Cap                 | 1   |
| 11 |        | Screw M5x12     | 1   | 36 | 20861  | Muffler gasket      | 1   |
| 12 | 032515 | Crank Cass      | 1   | 37 | 013513 | Muffler Ass'y       | 1   |
| 13 |        | Pin 5h8x12      | 2   | 38 |        | Screw M5 x 12       | 1   |
| 14 | 020855 | Seal 15x30x7    | 1   | 39 |        | Bolt                | 2   |
| 15 |        | M5x30           | 4   | 40 |        | Nut                 | 2   |
| 16 |        | Screw M5x30     | 4   | 41 | 013504 | Gasket              | 2   |
| 17 | 032516 | Fly wheel       | 1   | 42 | 032518 | Gasket              | 1   |
| 18 |        |                 |     | 43 | 032519 | Admitting pipe      | 1   |
| 19 |        | 12              | 1   | 44 |        | Screw M5x25         | 2   |
| 20 |        | 12              | 1   | 45 | 031801 | Carburetor          | 1   |
| 21 |        | M12             | 1   | 46 | 032520 | Cleaner Fixing Base | 1   |
| 22 | 17747  | Coil            | 1   | 47 | 032521 | Filter              | 1   |
| 23 |        | Stop cord ASS'Y | 1   | 48 | 032522 | Cleaner Fixing Base | 1   |
| 24 |        | Bolt M5x20      | 2   | 49 |        | Screw M4x25         | 2   |
| 25 |        |                 | 1   | 50 |        |                     |     |

DM-14 P - Pump



| No | Code   | Name  | Qty | No | Code   | Name      | Qty |
|----|--------|-------|-----|----|--------|-----------|-----|
| 1  |        |       | 1   | 25 | 31677  |           | 1   |
| 2  |        |       | 9   | 26 |        |           | 1   |
| 3  | 31805  |       | 1   | 27 | 031806 |           | 1   |
| 4  |        | M6    | 7   | 28 | 32557  |           | 1   |
| 5  | 032528 |       | 7   | 29 |        |           | 1   |
| 6  | 032525 |       | 2   | 30 |        |           | 1   |
| 7  |        |       | 1   | 31 |        |           | 2   |
| 8  |        | M6x12 | 2   | 32 |        |           | 2   |
| 9  |        |       | 2   | 33 |        | 4         |     |
| 10 | 031812 |       | 1   | 34 |        |           |     |
| 11 | 31804  |       | 1   | 35 | 032532 |           | 1   |
| 12 | 013384 |       | 1   | 36 | 032552 |           | 1   |
| 13 |        |       | 1   | 37 | 032547 |           | 1   |
| 14 |        |       | 1   | 38 |        |           | 1   |
| 15 |        |       | 2   | 39 |        |           | 1   |
| 16 |        |       |     | 40 |        | ST.2.2X13 | 2   |
| 17 |        | M5x40 | 2   | 41 | 032548 |           | 1   |
| 18 |        | 5     | 2   | 42 | 032530 |           | 2   |
| 19 |        | M6x20 | 2   | 43 | 32550  |           | 1   |
| 20 |        |       | 1   | 44 |        | M5X20     | 12  |
| 21 | 017755 |       | 1   | 45 | 032529 |           | 3   |
| 22 | 17756  |       | 1   | 46 |        |           | 1   |
| 23 | 031800 |       | 1   | 47 | 31815  |           | 1   |
| 24 | 032523 |       | 1   | 48 |        |           | 1   |

DM 14 P - Pump

| No | Code   | Name     | Qty | No  | Code      |   |
|----|--------|----------|-----|-----|-----------|---|
| 49 |        | ST4.2X19 | 3   | 97  |           |   |
| 50 | 032533 |          | 1   | 98  |           |   |
| 51 | 032534 |          | 1   | 99  |           |   |
| 52 |        |          | 1   | 100 |           |   |
| 53 |        |          |     | 101 |           |   |
| 54 |        |          |     | 102 |           |   |
| 55 |        |          |     | 103 |           |   |
| 56 |        |          |     | 104 |           |   |
| 57 |        |          |     | 105 |           |   |
| 58 |        |          |     | 106 |           |   |
| 59 |        | M5X20    | 2   | 107 |           |   |
| 60 |        |          | 1   | 108 |           |   |
| 61 |        | M5       | 2   | 109 |           |   |
| 62 | 031799 |          | 1   | 110 |           |   |
| 63 | 031809 |          | 1   | 111 |           |   |
| 64 |        |          |     | 112 |           |   |
| 65 |        |          |     | 113 |           |   |
| 66 |        |          |     | 114 |           |   |
| 67 |        |          |     | 115 |           |   |
| 68 |        |          |     | 116 |           |   |
| 69 | 32535  |          | 1   | 117 |           |   |
| 70 | 032542 |          | 1   | 118 |           |   |
| 71 |        |          | 1   | 119 |           |   |
| 72 |        |          | 1   | 120 |           |   |
| 73 | 26015  | 16X2.4   | 1   | 121 |           |   |
| 74 |        |          | 1   | 122 |           |   |
| 75 |        |          |     | 123 |           |   |
| 76 |        |          |     | 124 |           |   |
| 77 |        |          |     | 125 |           |   |
| 78 |        | M5X16    | 3   | 126 |           |   |
| 79 | 032553 |          | 1   | 127 |           |   |
| 80 |        |          | 1   | 128 |           |   |
| 81 | 031814 |          | 1   | 129 |           |   |
| 82 | 031808 |          | 1   | 130 |           |   |
| 83 |        |          | 3   | 131 |           |   |
| 84 |        | M6X20    | 2   | 132 |           |   |
| 85 |        | M6X25    | 2   | 133 |           |   |
| 86 | 32554  |          | 1   | 134 |           | 1 |
| 87 |        | ∅25~∅40  | 2   | 135 |           | 1 |
| 88 |        |          |     | 136 |           | 1 |
| 89 |        |          |     | 137 | ST 5.5X25 | 1 |
| 90 |        |          |     | 138 | ST4.2X19  | 5 |
| 91 |        |          |     | 139 |           | 1 |
| 92 |        |          |     | 140 |           | 1 |
| 93 |        |          |     | 141 |           | 1 |
| 94 |        |          |     | 142 | M6        | 1 |
| 95 |        |          |     | 143 |           | 1 |
| 96 |        |          |     | 144 |           | 1 |

31679

## DM 14 P - Pump

| No  | Code  | Name | Qty      | No  | Code |  |  |  |
|-----|-------|------|----------|-----|------|--|--|--|
| 145 | 31679 |      | 1        | 192 |      |  |  |  |
| 146 |       |      | 1        | 193 |      |  |  |  |
| 147 |       |      | 1        | 194 |      |  |  |  |
| 148 |       |      | 1        | 195 |      |  |  |  |
| 149 |       |      | 1        | 196 |      |  |  |  |
| 150 |       |      | 1        | 197 |      |  |  |  |
| 151 |       |      | 1        | 198 |      |  |  |  |
| 152 |       |      | 1        | 199 |      |  |  |  |
| 153 |       |      | ST4.2X8  | 2   | 200  |  |  |  |
| 154 |       |      | M3X5X2.5 | 1   | 201  |  |  |  |
| 155 |       |      | ST4.8X13 | 1   | 202  |  |  |  |
| 156 |       |      |          | 1   | 203  |  |  |  |
| 157 |       |      |          | 3   | 204  |  |  |  |
| 158 |       |      |          | 1   | 205  |  |  |  |
| 159 |       |      |          | 1   | 206  |  |  |  |
| 160 |       |      |          | 1   | 207  |  |  |  |
| 161 |       |      |          |     | 208  |  |  |  |
| 162 |       |      |          |     | 209  |  |  |  |
| 163 |       |      |          |     | 210  |  |  |  |
| 164 |       |      |          |     | 211  |  |  |  |
| 165 |       |      |          | 212 |      |  |  |  |
| 166 |       |      |          | 213 |      |  |  |  |
| 167 |       |      |          | 214 |      |  |  |  |
| 168 |       |      |          | 215 |      |  |  |  |
| 169 |       |      |          | 216 |      |  |  |  |
| 170 |       |      |          | 217 |      |  |  |  |
| 171 |       |      |          | 218 |      |  |  |  |
| 172 |       |      |          | 219 |      |  |  |  |
| 173 |       |      |          | 220 |      |  |  |  |
| 174 |       |      |          | 221 |      |  |  |  |
| 175 |       |      |          | 222 |      |  |  |  |
| 176 |       |      |          | 223 |      |  |  |  |
| 177 |       |      |          | 224 |      |  |  |  |
| 178 |       |      |          | 225 |      |  |  |  |
| 179 |       |      |          | 226 |      |  |  |  |
| 180 |       |      |          | 227 |      |  |  |  |
| 181 |       |      |          | 228 |      |  |  |  |
| 182 |       |      |          | 229 |      |  |  |  |
| 183 |       |      |          | 230 |      |  |  |  |
| 184 |       |      |          | 231 |      |  |  |  |
| 185 |       |      |          | 232 |      |  |  |  |
| 186 |       |      |          | 233 |      |  |  |  |
| 187 |       |      |          | 234 |      |  |  |  |
| 188 |       |      |          | 235 |      |  |  |  |
| 189 |       |      |          | 236 |      |  |  |  |
| 190 |       |      |          | 237 |      |  |  |  |
| 191 |       |      |          | 238 |      |  |  |  |
| 192 |       |      |          | 239 |      |  |  |  |