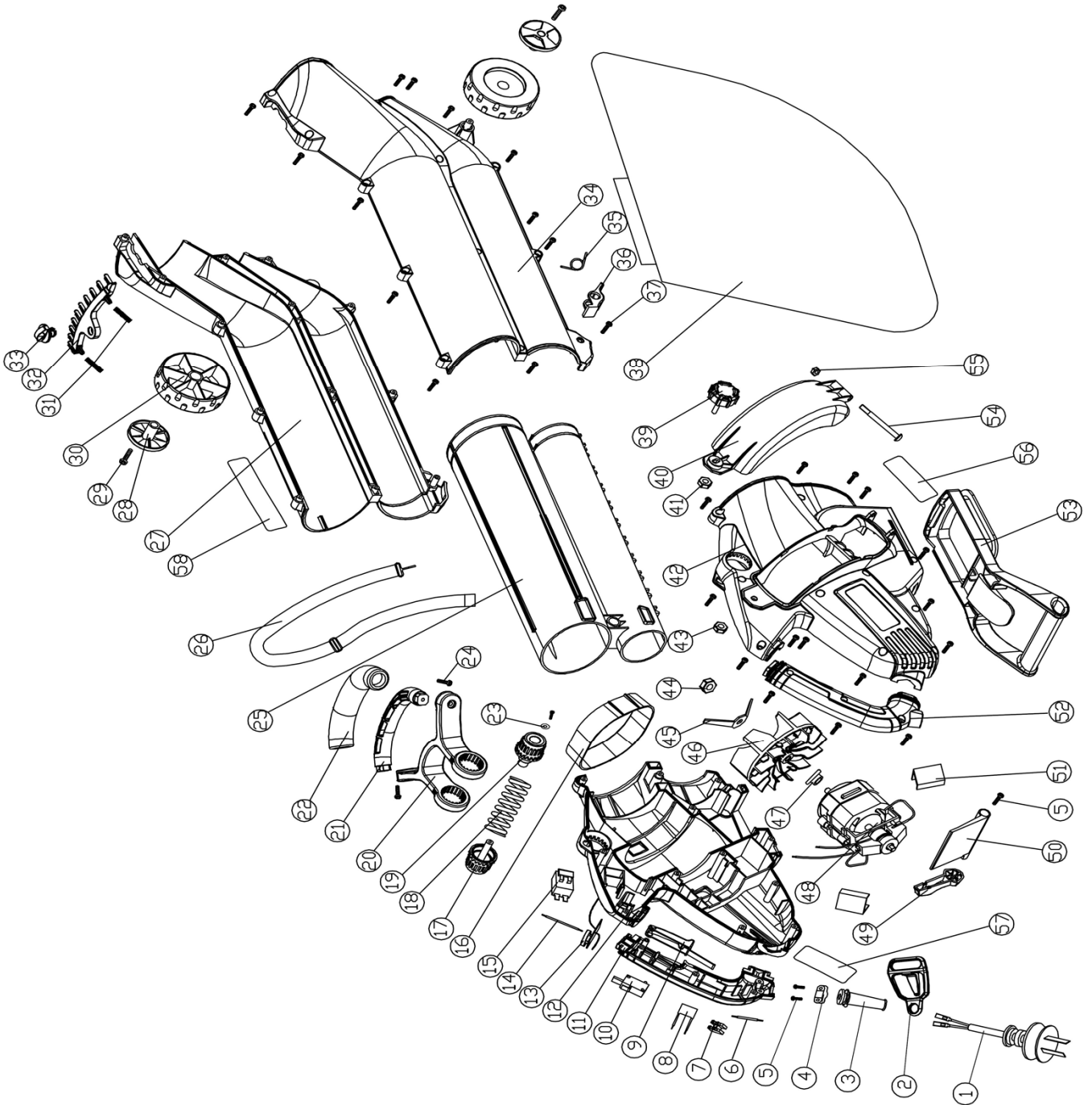


**VEBV 3000**





# EXPLODED PARTS LIST

Year: 2017

Page(s): 2/2

## VEBV 3000

No	Code	Name	Qty	No	Code	Name	Qty
1		Cord	1	48	044550	Motor	1
2		Hung deduction	1	49	044551	Transfer lever	1
3		Cord sheath	1	50		Wind screen	1
4		Cord clamp plate	1	51		shock pad	2
5		Screws	3	52	044552	right handle	1
6		Internal connecting wire 1	1	53	044553	Support of collection bag	1
7		Terminal box	1	54		Bolt	1
8		Capacitor	1	55		Locknut	1
9	044528	Switch button	1	56		brand label	1
10	044529	Microsoft switch	1	57		specification label	1
11	044530	left handle	1	58		warning label	1
12	044531	Left housing	1	59		Three tooth buckle	2
13	044532	Variable speed controller	1	60		Terminal board	4
14		Internal connecting wire 2	1	61		Terminal board	2
15	044533	Microsoft switch	1	62		heat-shrinkable tubing	4
16		Bushing block	1	63		heat-shrinkable tubing	2
17		Left rotating button	1	64		Screw	1
18		Spring	1	65			
19		Right rotating button	1	66			
20	044534	front handle	1				
21	044535	front handle of holder	1				
22		foam	1				
23		Washer 3	1				
24		Screw	2				
25	044536	Up tube	1				
26	044537	Shouder strap	1				
27	044538	Down left tube	1				
28	044539	Wheel cover	2				
29		Screws	2				
30	044540	Wheel	2				
31		Spring	2				
32	044541	Rake 1	1				
33	044542	Adujsting Knob	1				
34	044543	Down right tube	1				
35		Button spring	1				
36		Adujsting button	1				
37		Screws	29				
38	044544	Collection bag	1				
39		Knob	1				
39-1		Screws					
40	044545	Rear cover	1				
41		Locknut	1				
42	044546	Right housing	1				
43		Nut	1				
44	044547	Locknut	1				
45	044548	Blade	1				
46	044549	Fan	1				
47		Shaft sheath	1				