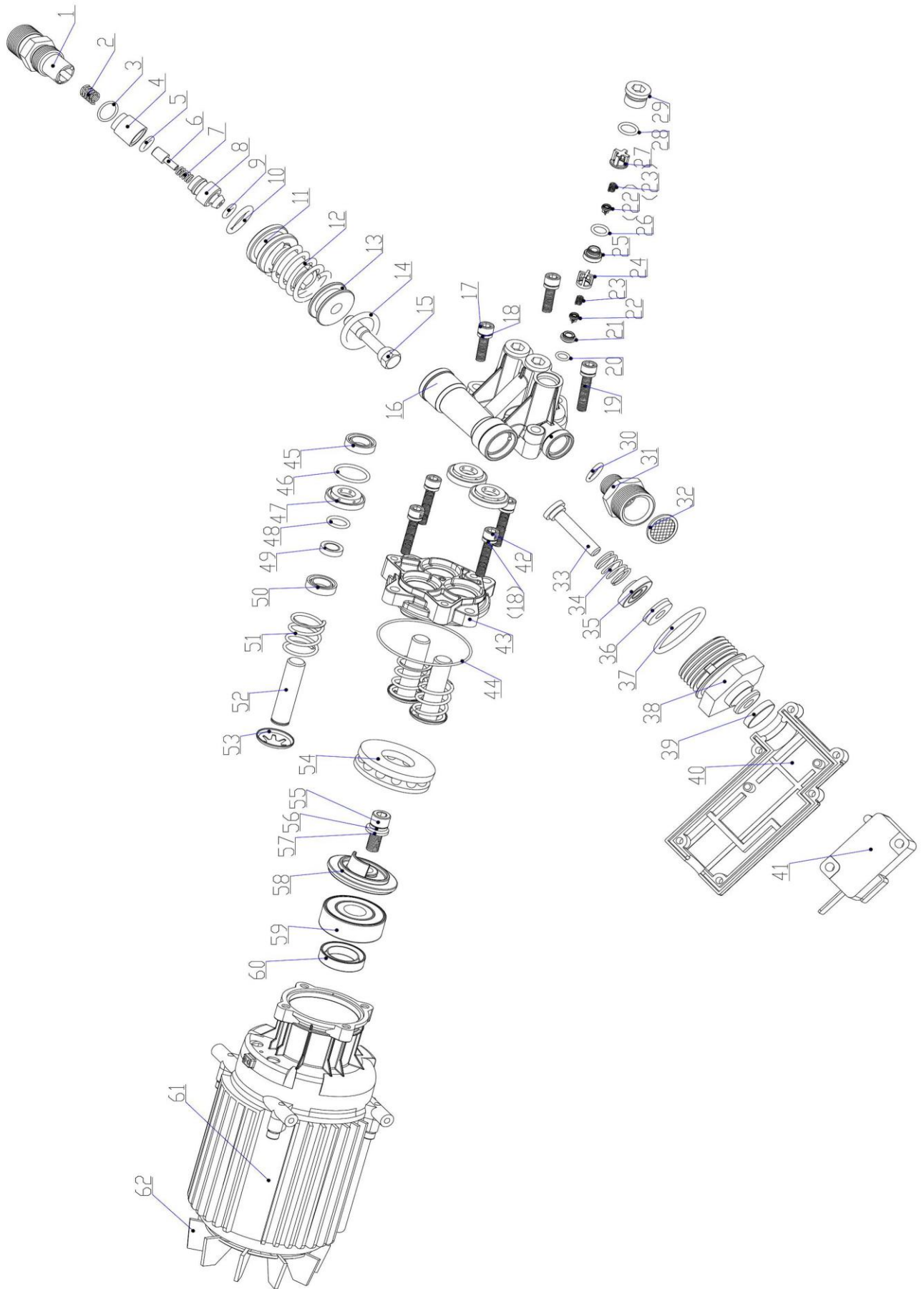
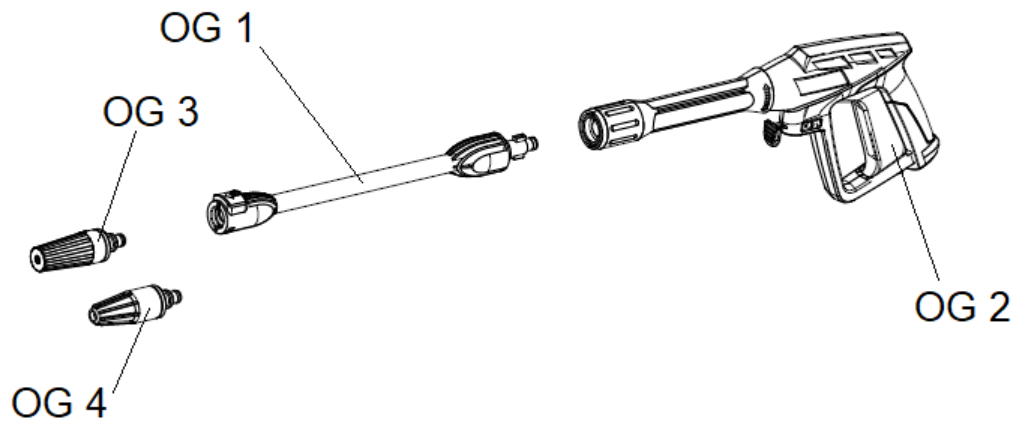


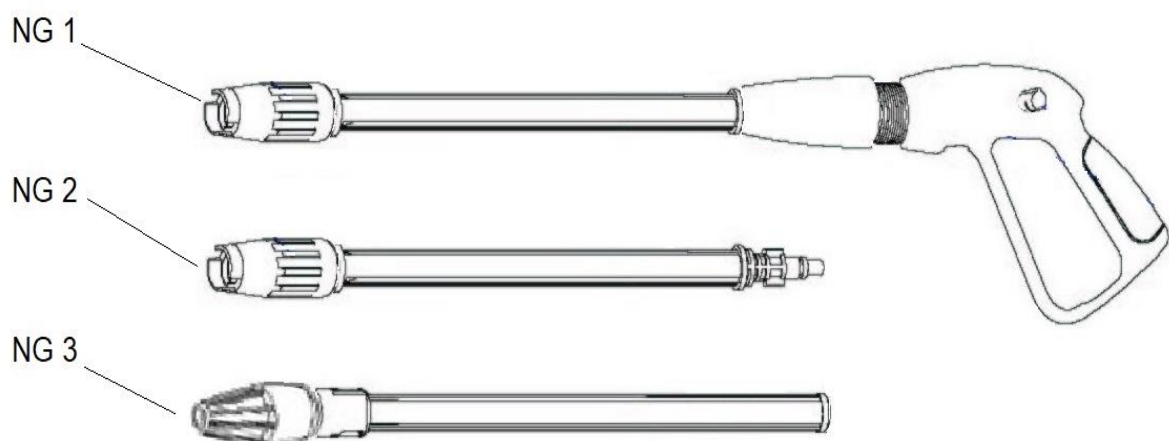
## VHW 100



VHW 100



OLD GUN (UNTIL 2019)



NEW GUN (FROM 2019)



# EXPLODED PARTS LIST

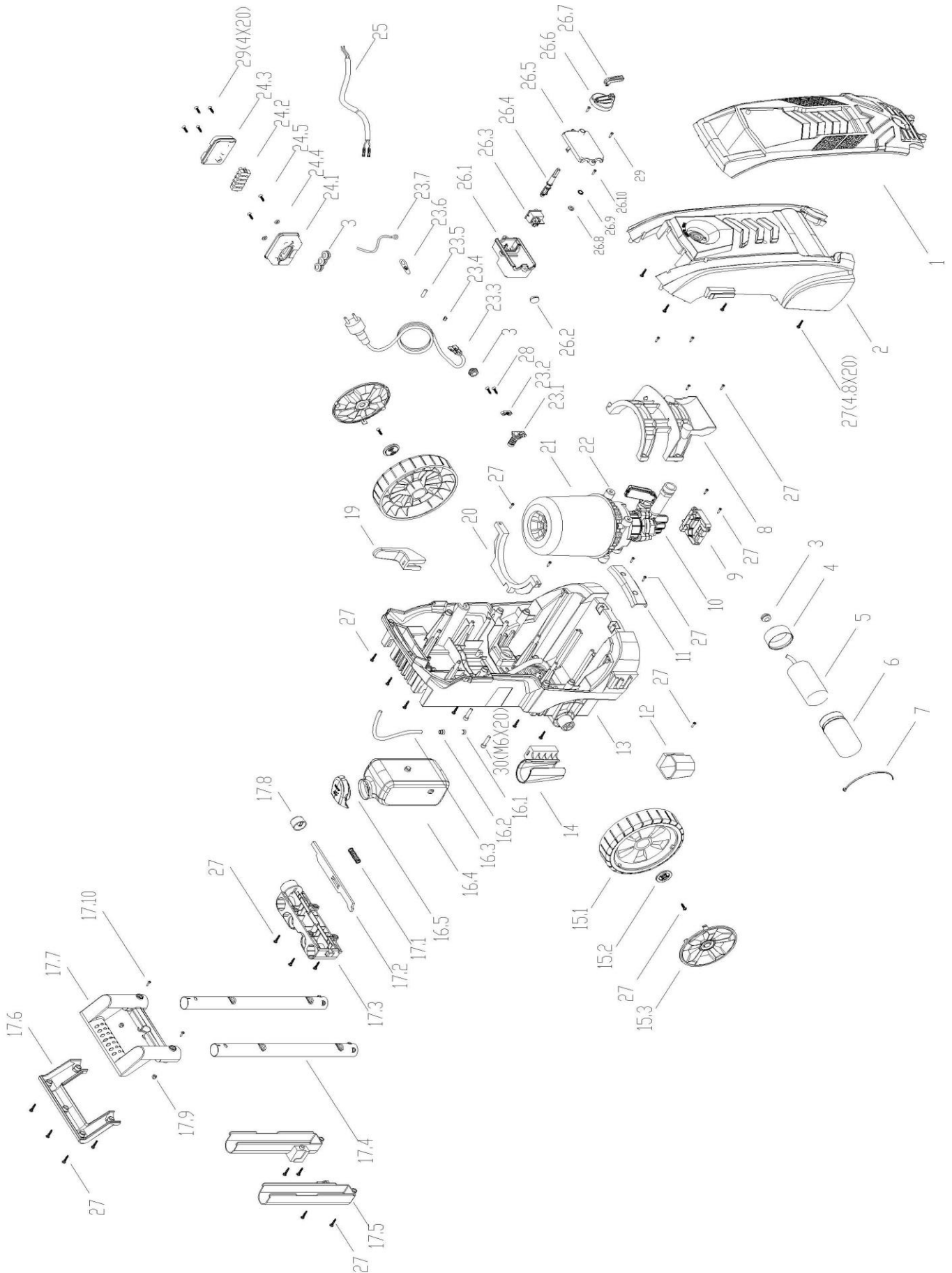
Year: 2018

Page(s): 3/5

## VHW 100

No	Code	Name	Qty	No	Code	Name	Qty
1	51798	WATER OUTLET JOINT	1	49	51819	IN THE INTERVAL SETS	3
2	51799	SPRING	1	50	51820	SKELETON SEAL	3
3	51800	O-RING	1	51	51821	PLUNGER SPRING	3
4	51801	BLOCKING	1	52	51822	PLUNGER	3
5		O-RING	1	53	51823	PLUNGER CLIP	3
6		VALVE CORE	1	54	51824	BEARINGS	1
7		VALVE CORE SPRING	1	55	51825	SCREW	1
8		JACKET	1	56		SPRING WASHER	1
9		O-RING	1	57	51826	GASKET	1
10		51802	O-RING	1	58	51827	BEARINGS SEAT
11	PISTON		1	59	51828	BEARINGS	1
12	PISTON SPRING		1	60	51829	SEAL	1
13	VALVE SEAT		1	61	51796	MOTOR	1
14	O-RING		1	62	51831	FAN	1
15	VALVE ROD		1				
16	51803	PUMP HEAD	1	1-41	51812	PUMP HEAD ASSY	
17		SCREW	2				
18		SPRING WASHER	7	OG 1	51832	GUN LANCE	
19		SCREW	1	OG 2	51833	GUN HANDLE	
20	51804	O-RING	3	OG 3	51834	ADJUSTABLE NOZZLE	
21	51805	INLET/OUTLET VALVE SEAT	3	OG 4	51835	TURBO NOZZLE	
22		INLET/OUTLET VALVE CORE	6		13140	HIGH PRESSURE TUBE	
23		INLET/OUTLET VALVE SPRING	6	NG 1	13139	GUN LANCE	
24		INLET/OUTLET VALVE CAP	3	NG 2	76768	ADJUSTABLE NOZZLE	
25		OUTLET NON RETURN VALVE SEAT	3	NG 3	76767	TURBO NOZZLE	
26		O-RING	3				
27		OUTLET NON RETURN VALVE CAP	3				
28	51806	O-RING	3				
29	51807	WATER VALVE CAP	3				
30	51808	O-RING	1				
31	51809	WATER INLET JOINT	1				
32	51810	STRAINER	1				
33	51811	SWITCH ROD	1				
34		ROD SPRING	1				
35		CONNECTING NUT GASKET	1				
36		Y-RING	1				
37		O-RING	1				
38		CONNECTING NUT	1				
39		CAP OF PRESSURE SWITCH	1				
40		SWITCHING AROUND SHELL	1+1				
41		MICRO SWITCH	1				
42		SCREW	4				
43	51813	PUMP	1				
44	51814	O-RING	1				
45	51815	Y-RING	3				
46	51816	O-RING	3				
47	51817	MIDDLE SETS	3				
48	51818	O-RING	3				

## VHW 100





# EXPLODED PARTS LIST

Year: 2018

Page(s): 5/5

## VHW 100

No	Code	Name	Qty	No	Code	Name	Qty
1	51774	DECORATION BOARD	1	24.4		GASKET	2
2	51775	UPPER HOUSING	1	24.5		SCREW	2
3		RUBBER SHEATH FOR CABLE	1	25		LEAD-IN WIRE	1
4	51776	CAP OF CAPACITOR BOX	1	26	51794	JUNCTION BOX SERIES	1
5	51777	CAPACITOR	1	26.1		JUNCTION BOX	1
6	51778	CAPACITOR BOX	1	26.2		JUNCTION PLATE	1
7		PLASTIC RIBBON	1	26.3		EARTH CONNECTING SYMBOL	1
8	51779	UPPER THERMAL BAFFLE	1	26.4		EARTH CONNECTING WIRE	1
9	51780	PUMP HEAD FIXED PLATE	1	26.5		SWITCH	1
10		MOTOR AND PUMP SERIES	1	26.6	51795	SWITCH TRANSMISSION AXLE	1
11	51781	BOTTOM HOUSING PRESSURE PLATE	1	26.7		JUNCTION BOX CAP	1
12	51782	BELOW GUN HOLDER	1	26.8		ROTARY KNOB	1
13	51783	BOTTOM HOUSING	1	26.9		ROTARY KNOB PLASTIC PART	1
14	51784	UPPER GUN HOLDER	1	26.10		SPRING GASKET	1
15	51785	WHEELS SERIES	2	26.11		GASKET	1
15.1		WHEEL	2	26.12		SCREW	1
15.2		WHEEL GASKET	2	27		SCREW	51
15.3		WHEEL CAP	2	28		SCREW	3
16	51786	SOAP TANK SERIES	1	29		SCREW	6
16.1		FILTER LEAF OF SOAP TANK	1	30		SCREW	2
16.2		FILTER TRIP OF SOAP TANK	1				
16.3		SOAP TUBE	1				
16.4		SOAP TANK	1				
16.5		TANK CAP	1				
17	51787	TELESCOPE HANDLE SERIES	1				
17.1		SPRING FOR TELESCOPE HANDLE	1				
17.2		SLIDER OF TELESCOPE HANDLE	1				
17.3		HOLDER OF TELESCOPE HANDLE	1				
17.4		ALUMINUM TUBE	2				
17.5		COVER BOARD OF ALUMINUM TUBE	1+1				
17.6		BACK CAP OF HANDLE	1				
17.7		HANDLE	1				
17.8		PRESS BUTTON	1				
17.9		SCREW	2				
17.10		NUT	2				
19	51788	CABLE HOOK	1				
20	51789	BOTTOM THERMAL BAFFLE	1				
21	51790	MOTOR HOUSING	1				
22	51791	MOTOR RUBBER FEET	4				
23	51792	CABLE	1				
23.1		CABLE PLASTIC SHEATH	1				
23.2		CABLE PRESS PLATE	1				
3		CABLE RUBBER SHEATH	1				
23.3		CABLE	1				
24	51793	MOTOR JUNCTION BOX SERIES	1				
24.1		MOTOR JUNCTION BOX	1				
24.2		MOTOR JUNCTION PLATE	1				
24.3		MOTOR JUNCTION BOX CAP	1				