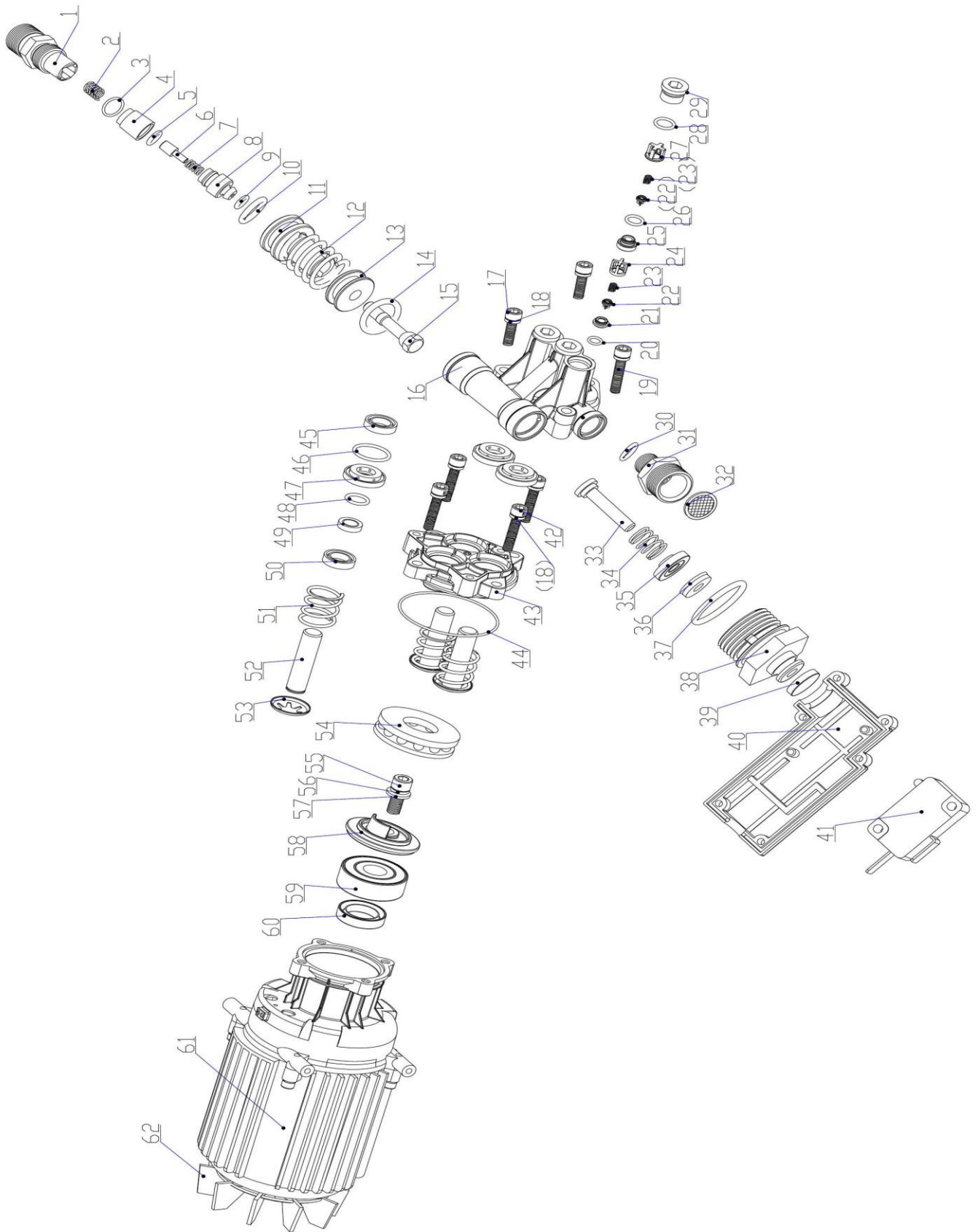


## VHW 120





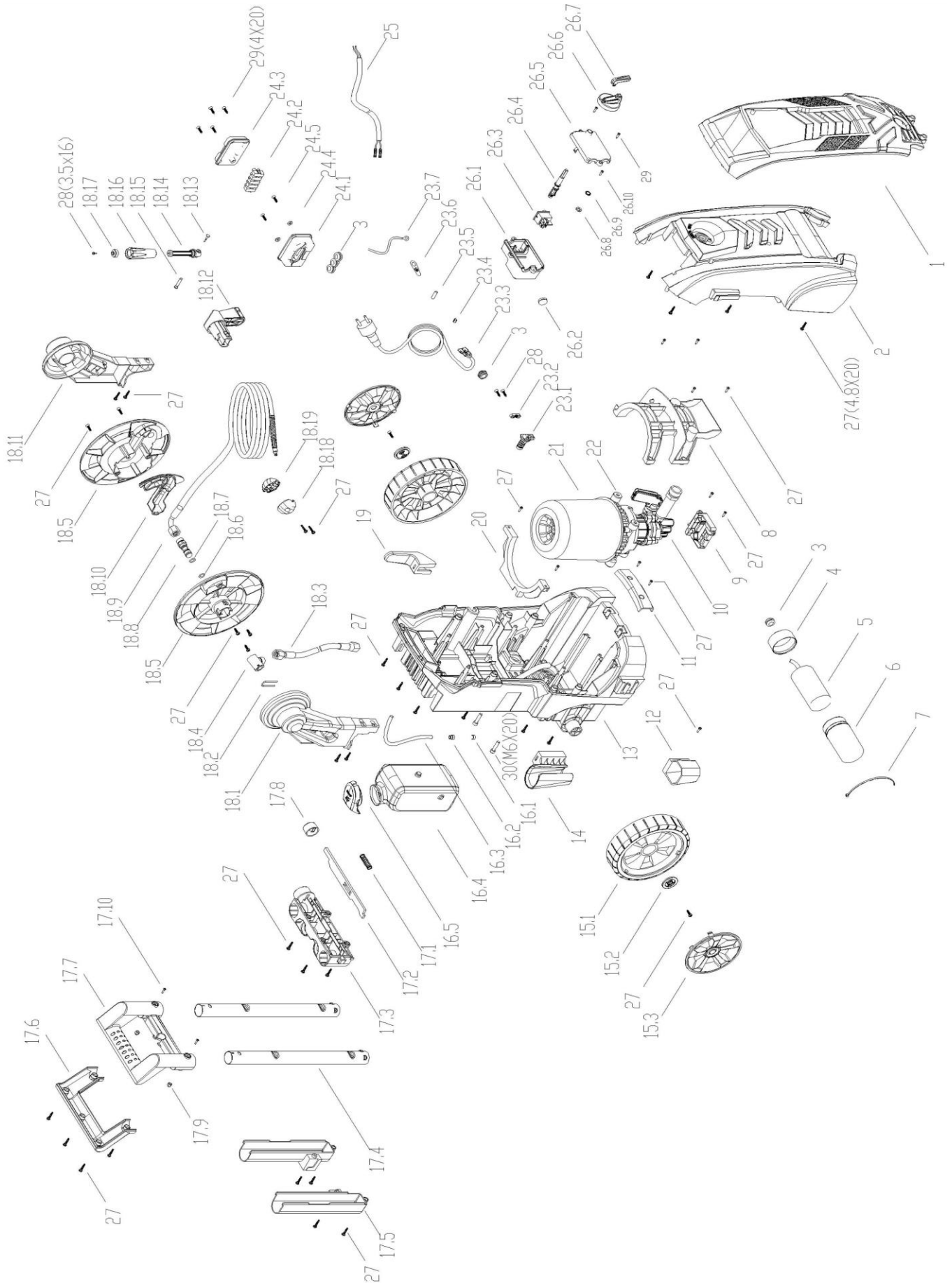
# EXPLODED PARTS LIST

Year: 2018  
Page(s): 2/5

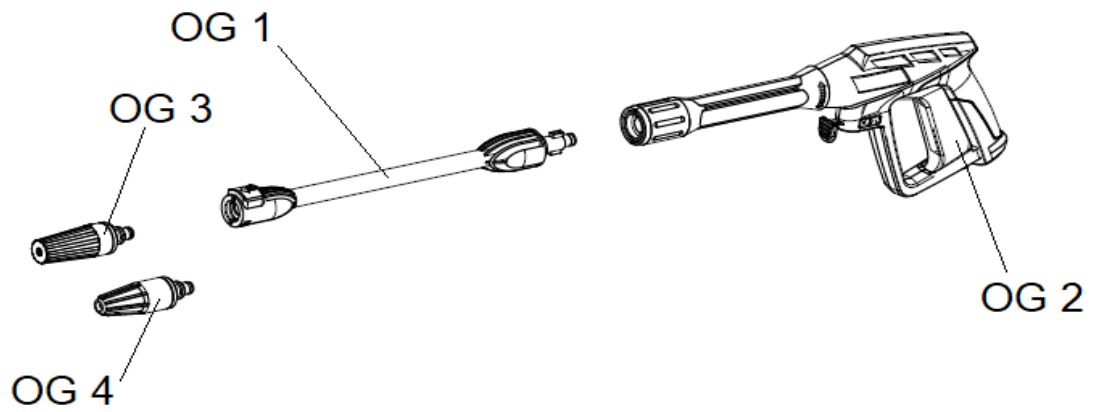
## VHW 120

No	Code	Name	Qty	No	Code	Name	Qty
1	51798	Water outlet joint	1	49	51819	In the interval sets	3
2	51799	Spring 0.5×10×6.5×11.85	1	50	51820	Skeleton SEAL 12×20×4	3
3	51800	O-ring φ22×2.4	1	51	51821	Plunger spring	3
4	51801	Blocking	1	52	51822	Plunger	3
5		O-ring φ5×1.8	1	53	51823	Plunger clip	3
6		Valve core	1	54	51824	Thrust ball bearings 51107B	1
7		Valve core spring	1	55	51825	Screw Internal hexagonal M8×20	1
8		Jacket	1	56		Spring washer φ8	1
9		O-ring φ4.5×1.8	1	57	51826	Gasket φ8	1
10		51802	O-ring φ16×2.4	1	58	51827	Bearings seat
11	Piston		1	59	51828	Bearings 6302	1
12	Piston spring		1	60	51829	Seal 18x28x5	1
13	Valve seat		1	61	51830	Motor	1
14	O-ring φ15×2.4		1	62	51831	Fan	1
15	Valve rod		1				
16	51803	Pump head	1	1-41	51812	Pump head assy	
17		Screw Internal hexagonal M6×25	2				
18		Spring washer φ6	7				
19		Screw Internal hexagonal M6×35	1				
20	51804	O-ring φ6.5×1.5	3				
21	51805	Inlet/outlet valve seat	3				
22		Inlet/outlet valve core	6				
23		Inlet/outlet valve spring 0.3×6.4×6.5×6.3	6				
24		Inlet/outlet valve cap	3				
25		Outlet non return valve seat	3				
26		O-ring φ8.5×1.8	3				
27		Outlet non return valve cap	3				
28	51806	O-ring φ13×1.9	3				
29	51807	Water valve cap	3				
30	51808	O-ring φ18×2.4	1				
31	51809	Water Inlet joint	1				
32	51810	Strainer	1				
33	51811	Switch rod	1				
34		Rod spring 1×11.2×5×15.9	1				
35		Connecting nut gasket	1				
36		Y-ring 4x11x2.5	1				
37		O-ring φ22×1.9	1				
38		Connecting nut	1				
39		Water proof cap of Pressure switch	1				
40		Switching around shell	1+1				
41		Micro switch	1				
42		Screw Internal hexagonal M6×25	4				
43	51813	Pump	1				
44	51814	O-ring φ58×2.65	1				
45	51815	Y-ring 12×18×4	3				
46	51816	O-ring φ22×1.9	3				
47	51817	Middle sets	3				
48	51818	O-ring φ16×1.9	3				

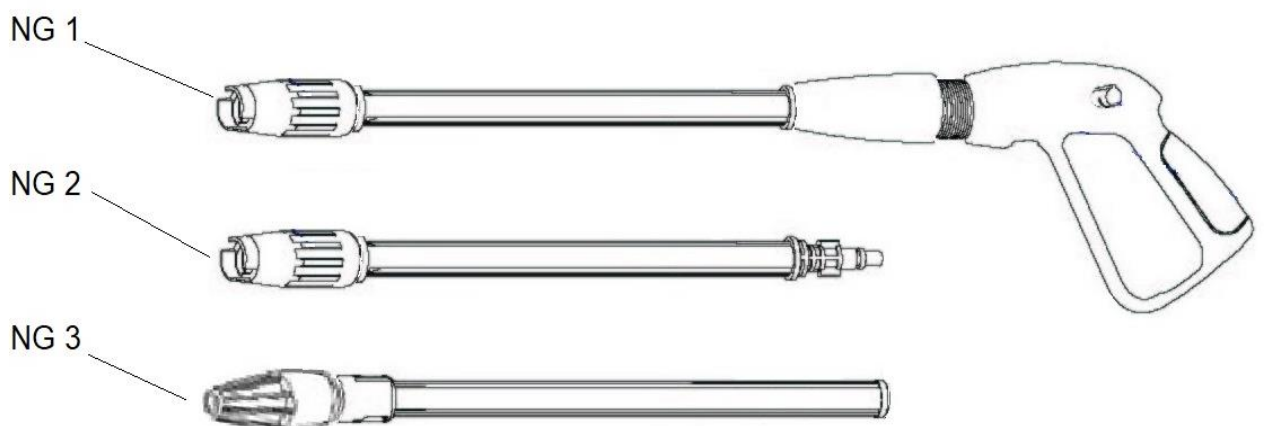
## VHW 120



VHW 120



OLD GUN (UNTIL 2019)



NEW GUN (FROM 2019)



# EXPLODED PARTS LIST

Year: 2018  
Page(s): 5/5

## VHW 120

No	Code	Name	Qty	No	Code	Name	Qty
1	51774	Decoration board	1	18.13		Male lock core	1
2	51775	Upper housing	1	18.14		Axle of hand grip	1
3		Rubber sheath for cable	1	18.15		Female lock core	1
4	51776	Cap of capacitor box	1	18.16		Hand grip	1
5	51777	Capacitor	1	18.17		Hand grip gasket	1
6	51778	Capacitor box	1	18.18		Hose stopping ball	1
7		Plastic ribbon	1	18.19		Hose stopping ball 2	1
8	51779	Upper thermal baffle	1	19	51788	Cable hook	1
9	51780	Pump head fixed plate	1	20	51789	Bottom thermal baffle	1
10		Motor and pump series	1	21	51790	Motor housing	1
11	51781	Bottom housing pressure plate	1	22	51791	Motor rubber feet	4
12	51782	Below gun holder	1	23	51792	Cable	1
13	51783	Bottom housing	1	23.1		Cable plastic sheath	1
14	51784	Upper gun holder	1	23.2		Cable press plate	1
15	51785	Wheels series	2	3		Cable rubber sheath	1
15.1		Wheel	2	23.3		Cable	1
15.2		Wheel gasket	2	24	51793	Motor Junction box series	1
15.3		Wheel cap	2	24.1		Motor Junction box	1
16	51786	Soap tank series	1	24.2		Motor Junction plate	1
16.1		Filter leaf of soap tank	1	24.3		Motor Junction box cap	1
16.2		Filter trip of soap tank	1	24.4		Gasket M4	2
16.3		Soap tube	1	24.5		Screw M4x12	2
16.4		Soap tank	1	25		Lead-in wire	1
16.5		Tank cap	1	26	51794	Junction box series	1
17	51787	Telescope handle series	1	26.1		Junction box	1
17.1		Spring for telescope handle	1	26.2		Junction plate	1
17.2		Slider of telescope handle	1	26.3		Earth connecting symbol	1
17.3		Holder of telescope handle	1	26.4		Earth connecting wire	1
17.4		Aluminum tube	2	26.5		Switch	1
17.5		Cover board of aluminum tube	1+1	26.6	51795	Switch transmission axle	1
17.6		Back cap of handle	1	26.7		Junction box cap	1
17.7		Handle	1	26.8		Rotary knob	1
17.8		Press button	1	26.9		Rotary knob plastic part	1
17.9		Screw	2	26.10		Spring gasket M4	1
17.10		Nut M5	2	26.11		Gasket M4	1
18	51837	Hose reel series	1	26.12		Screw M4x10	1
18.1		Left holder of hose reel	1	27		Screw ST4.8x20	51
18.2		U type bolt	1	28		Screw ST3.5x16	3
18.3		Short hose inside	1	29		Screw St4x20	6
18.4		Hose reel joint	1	30		Screw	2
18.5		Hose reel	2	OG 1	51832	Gun lance	
18.6		O-ring	1	OG 2	51833	Gun handle	
18.7		O-ring	1	OG 3	51834	Adjustable nozzle	
18.8		Axle of Hose reel	1	OG 4	51835	Turbo nozzle	
18.9		Hose	1		51836	High pressure tube	
18.10		Hose fixed plate	1	NG 1	13139	Gun lance	
18.11		Right holder of hose reel	1	NG 2	76768	Adjustable nozzle	
18.12		Hand grip holder	1	NG 3	76767	Turbo nozzle	