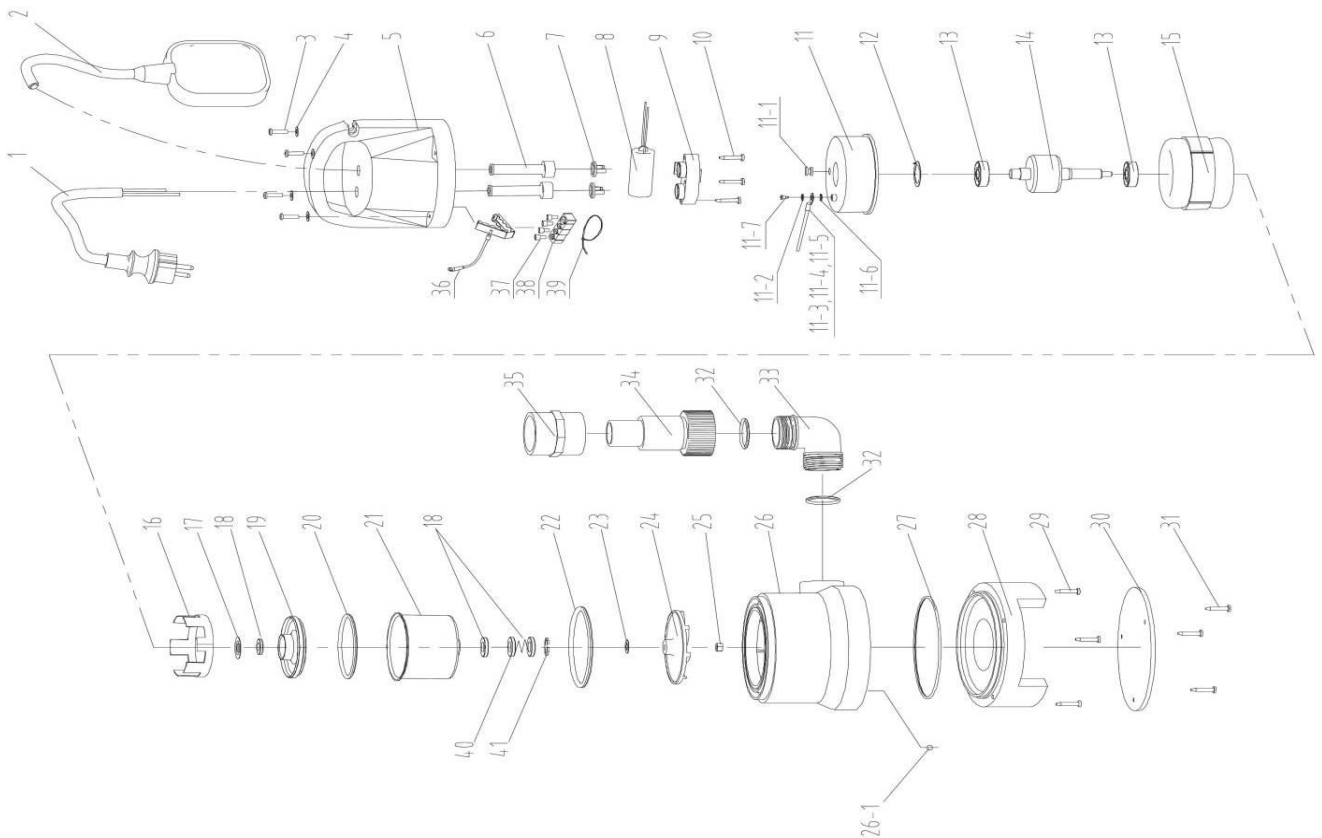


## VSP 10000



No	Code	Name	Qty	No	Code	Name	Qty
1		ELECTRIC CABLE	1	16	032330	BUSHING	1
2	080433	FLOATER SWITCH	1	17	029691	WASHER	1
3		SELF-TAPPING SCREW	4	18	029692	SKELETON SEAL RING	3
4		WASHER	4	19	029693	ALUMINUM BUSHING	1
5	032303	REAR PUMP HOUSING	1	20	029694	O RING	1
6	032304	CABLE JACKET	2	21	029695	FRONT COVER	1
				22	029696	O RING	1
7	032272	CABLE PRESS PAD	2	23		ADJUSTABLE WASHER	1
				23		ADJUSTABLE WASHER	1
8	029686	16UF CAPACITOR	1	24	029697	IMPELLER	1
9	032306	CABLE PRESS PAD	1	25		NUT	1
10		SELF-TAPPING SCREW	3	26	032339	MAIN PUMP HOUSING	1
11	032307	REAR PUMP HOUSING	1	26-1	032283	STEEL BALL	1
11-1	029687	CABLE JACKET	1	27	029698	O RING	1
11-2	029688	WASHER	1	28	032340	PUMP BASE	1
11-3		YELLOW-GREEN WIRE	1	29		SELF-TAPPING SCREW	3
11-4		WIRE CONNECTING PAD	1	30	032341	BOTTOM PLATE	1
11-5	032308	HEAT SHRINKABLE TUBE	0.025m	31		SELF-TAPPING SCREW	3
11-6		WASHER	1	32	032335	O RING	2
11-7		BOLT	1	33	032336	ELBOW	1
12	029689	WAVE WASHER	1	34	032337	OUTPUT CONNECTOR	1
13	024730	BEARING	2	35		FLEXIBLE CONNECTOR	1
14	032338	ROTOR	1	36	032287	GROUND COVER	1
15	029690	STATOR	1	37		NYLON SAFTY PRESS CAP	2

