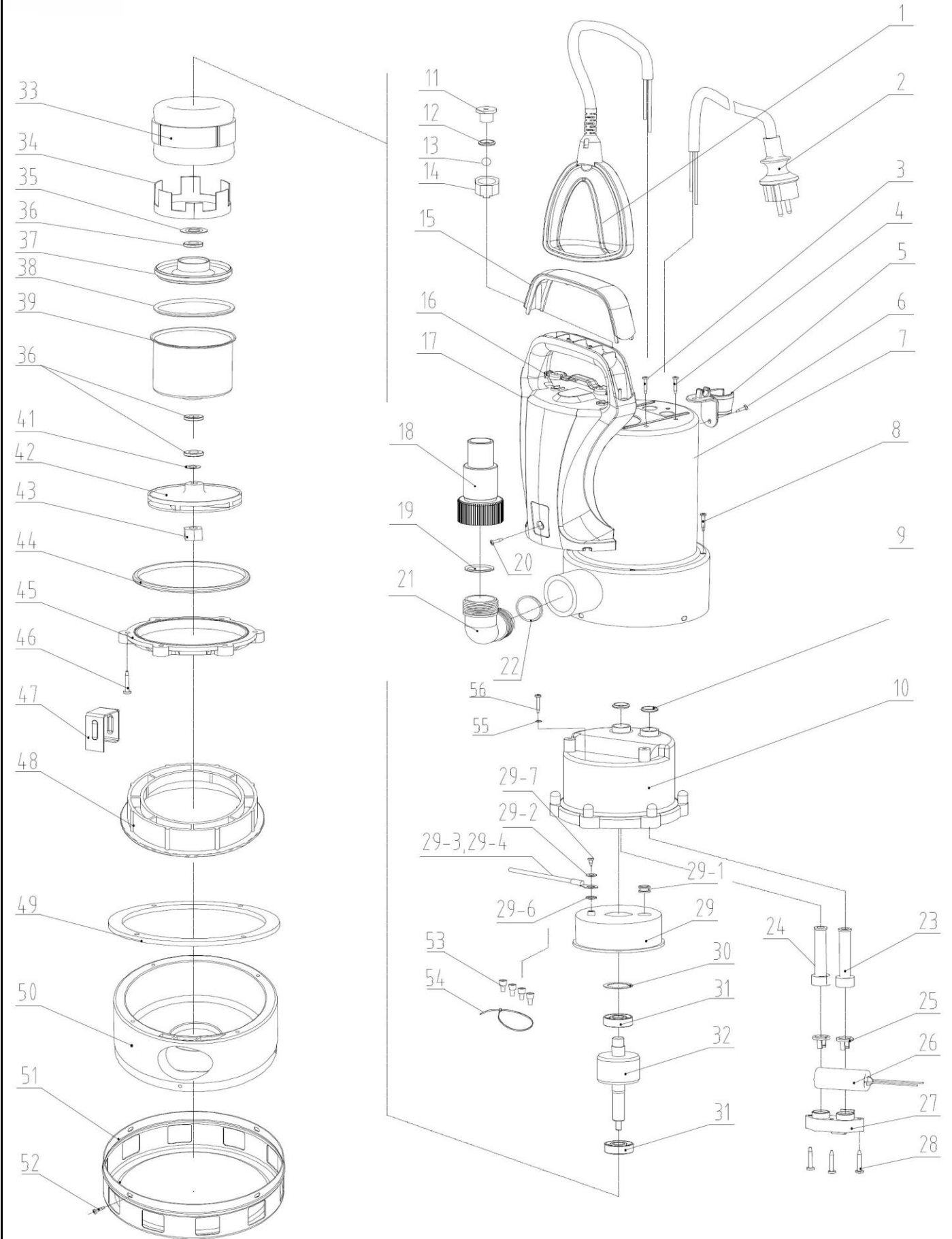


## VSP 18000I





# EXPLODED PARTS LIST

Year: 2021

Page(s): 2/2

## VSP 18000I

| No   | Code  | Name                      | Qty | No | Code  | Name                        | Qty |
|------|-------|---------------------------|-----|----|-------|-----------------------------|-----|
| 1    | 42574 | FLOATING SWITCH           | 1   | 42 | 42581 | IMPELLER                    | 1   |
| 2    | 53935 | POWER CORD                | 1   | 43 | 59587 | NUT                         | 1   |
| 3    |       | SELF TAPPING SCREW        | 2   | 44 | 29696 | O RING                      | 1   |
| 4    |       | SELF TAPPING SCREW        | 3   | 45 | 42582 | PRESSING RING               | 1   |
| 5    | 80432 | CABLE CLAMP               | 1   | 46 |       | SELF TAPPING SCREW          | 6   |
| 6    |       | SCREW                     | 1   | 47 |       | GROUND EARTHING PIECE       | 1   |
| 7    | 42575 | PUMP BODY                 | 1   | 48 |       | GROUND EARTHING             | 1   |
| 8    |       | SELF TAPPING SCREW        | 4   | 49 | 80427 | SEAL GASKET                 | 1   |
| 9    |       | O RING                    | 2   | 50 | 42584 | INNER BASE                  | 1   |
| 10   | 42576 | REAR PUMP COVER           | 1   | 51 | 42585 | BASE                        | 1   |
| 11   | 80431 | AIR OUTLET HOLE           | 1   | 52 |       | SELF TAPPING SCREW          | 4   |
| 11-1 |       | SEAL RING                 | 1   | 53 |       | NYLON SAFETY WIRE CONNECTOR | 2   |
| 12   |       | O RING                    | 1   | 53 |       | NYLON SAFETY WIRE CONNECTOR | 3   |
| 13   | 80430 | STEEL BALL                | 1   | 54 |       | RIBBON                      | 1   |
| 14   | 80429 | NUT OF AIR OUTLET HOLE    | 1   | 55 |       | O RING                      | 1   |
| 15   | 80428 | HANDLE COVER              | 1   | 56 |       | CUSTOM SELF TAPPING SCREW   | 1   |
| 16   |       | LOCK BLOCK                | 1   |    |       |                             |     |
| 17   | 42577 | HANDLE                    | 1   |    |       |                             |     |
| 18   | 32337 | OUTPUT CONNECTOR          | 1   |    |       |                             |     |
| 19   | 32335 | O RING                    | 1   |    |       |                             |     |
| 20   |       | SCREW                     | 1   |    |       |                             |     |
| 21   | 32336 | ELBOW                     | 1   |    |       |                             |     |
| 22   | 32335 | O RING                    | 1   |    |       |                             |     |
| 23   | 32305 | CABLE SHEATH              | 2   |    |       |                             |     |
| 24   | 32305 | CABLE SHEATH              | 2   |    |       |                             |     |
| 25   | 32272 | CABLE PRESSING BUCKLE     | 2   |    |       |                             |     |
| 26   | 53934 | CAPACITOR                 | 1   |    |       |                             |     |
| 27   | 32306 | CABLE PRESSING BLOCK      | 1   |    |       |                             |     |
| 28   |       | CUSTOM SELF TAPPING SCREW | 3   |    |       |                             |     |
| 29   | 32307 | REAR COVER                | 1   |    |       |                             |     |
| 29-1 | 29687 | WIRE SHEATH               | 1   |    |       |                             |     |
| 29-2 | 29688 | GASKET                    | 1   |    |       |                             |     |
| 29-3 |       | YELLOW GREEN WIRE         | 1   |    |       |                             |     |
| 29-4 | 32274 | LUG PLATE                 | 1   |    |       |                             |     |
| 29-6 |       | GASKET                    | 1   |    |       |                             |     |
| 29-7 |       | SCREW                     | 1   |    |       |                             |     |
| 30   | 29701 | CORRUGATED GASKET         | 1   |    |       |                             |     |
| 31   | 13801 | BEARING                   | 2   |    |       |                             |     |
| 32   | 42578 | ROTOR                     | 1   |    |       |                             |     |
| 33   | 42579 | STATOR                    | 1   |    |       |                             |     |
|      | 65853 | STATOR ASSEMBLED IN SHELL | 1   |    |       |                             |     |
| 34   | 32330 | LINING RING               | 1   |    |       |                             |     |
| 35   | 29691 | LUG PLATE                 | 1   |    |       |                             |     |
| 36   | 32278 | SKELETON SEAL RING        | 3   |    |       |                             |     |
| 37   | 29693 | ALU BUSH                  | 1   |    |       |                             |     |
| 38   | 29694 | O RING                    | 1   |    |       |                             |     |
| 39   | 42580 | FRONT COVER               | 1   |    |       |                             |     |
| 41   | 53940 | ADJUSTABLE GASKET         | 1   |    |       |                             |     |